

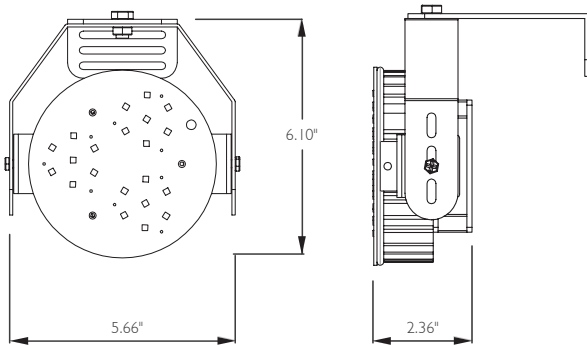
# SSL-EXRTFK SERIES



SSL-EXRTFK

## Product Description

The SSL-EXRTFK series are LED retrofit kits for existing exterior fixtures. Our LED exterior retrofit kits utilizes CREE LEDs and Mean Well LED driver, which comes pre-fit for your existing fixture, allowing fast and easy change out. The SSL-EXRTFK series provides easy installation; substantial power savings, optimal lighting and superior heat management, and is an ideal retrofit solution for conventional shoebox, cobra head, wall pack, canopy & high bay fixtures.



## Features

### Construction & Materials

- Heavy duty one-piece die cast aluminum heat sink
- Heavy duty one-piece die cast aluminum heat sink
- Professional and clean designed metal core printed circuit board (PCB) with Wago® SMD PCB connector
- Proven reliable Sunon® LED fan
- Equipped with Wago® quick disconnect between LED driver and LED module
- Equipped with strain relief clamp to protect electrical cables and soldering points
- Integral thermal control sensor which reduces drive current, when ambient temperatures exceeds rated temperature

### Mounting & Wiring

- Horizontal mounting with "L" bracket
- Or vertical mounting with "I" bracket
- Or custom plate mounting with plate adaptor

### Environmental System

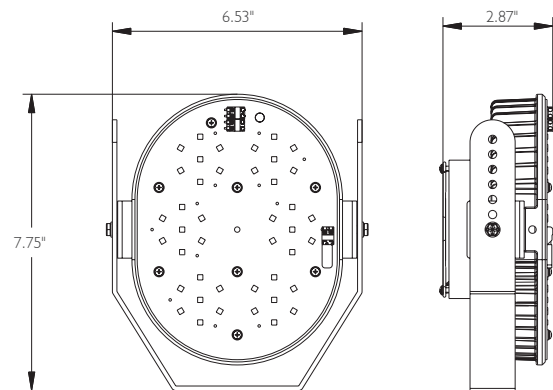
- Retrofit module inside of indoor and outdoor lighting fixtures

### Electrical System

- External Mean Well LED driver, with Wago® quick disconnect on output end
- Universal input voltage 120-277VAC (200-480VAC optional), 50/60Hz

### Optical System

- High performance CREE LED
- High precision optics optional
- Color temperature available in 5000K and 5500K
- Minimum 50,000 hours life



Model Number	Input Power	Lumens	CCT	Dimensions	Volt
SSL-EXRTFK60/50	60W	5007lm	5000K	6.10" x 5.66" x 2.36"	100 - 277V
SSL-EXRTFK80/50	80W	7388lm	5000K	7.75" x 6.53" x 2.87"	100 - 277V
SSL-EXRTFK120/50	120W	9993lm	5000K	7.75" x 6.53" x 2.87"	100 - 277V
SSL-EXRTFK150/50	150W	11620lm	5000K	7.75" x 6.53" x 2.87"	100 - 277V



517 Monterey Pass Road • Monterey Park, CA 91754  
 P: +1.626.401.1228 • F: +1.626.401.1220  
 sales@sunstarslighting.com • www.sunstarslighting.com

