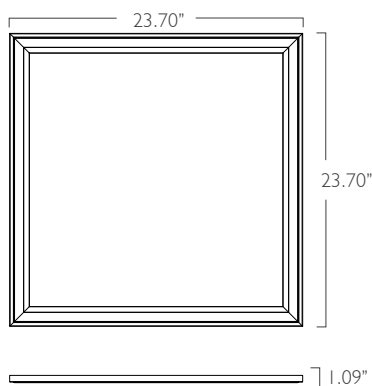




SSL-FPLED2X2

Product Description

The clean and elegant design of SSL-FPLED 2X2 SERIES LED Flat Panel Light provides a modern alternative to traditional fluorescent troffer, reach up to 100 lumens per watt with included UL Recognized constant current driver. These low profile LED Flat Panels are great for replacing old fluorescent fixtures, resulting in a cleaner look with internal driver. Popular installations include drop ceilings, as pendants or drywall using the optional mounting kit. It is available in 40K or 50K.



Performance Summary

SSL-FPLED2X2	40K	50K
Efficacy	99LPW	
Delivered Light Output	3960lm	4000lm
Input Power	40W	
CRI	Ra>80	
CCT Options	4000K or 5000K	
Input Voltage	100 - 277V	
Input Current	0.40 - 0.14A	
THD	<20% (at 277V)	
Standard Warranty	7 years	
Standard Lifetime	Designed to L70 minimum 50,000 hours	
Mounting	Recessed, surfaced mounted	
Dimming	0 - 10V	

Recommendation

- SSL-BLED
- SSL-FCLED
- SSL-TRLED

Model Number	Input Power	Lumens	CCT	Dimensions (W x L x H)	Volt
SSL-FPLED2X2/40K	40W	3960lm	4000K	23.70" x 23.70" x 1.09"	100-277V
SSL-FPLED2X2/50K	40W	4000lm	5000K	23.70" x 23.70" x 1.09"	100-277V