

SSL-EMB-12W LED Emergency Equipment

Product Description

The LED Emergency Equipment is UL Recognized LED Emergency Equipment that allows the same LED fixture to be used for both normal and emergency operation. In the event of a power failure, the LED Emergency Equipment switches to the emergency mode and operates the existing fixture for 90 minutes. The unit contains a battery, charger, and converter circuit in a single can and is available in different mounting configurations for individual fixture requirements. It is for use with an LED load up to 12W at a rated voltage of 12V - 48V.

Features

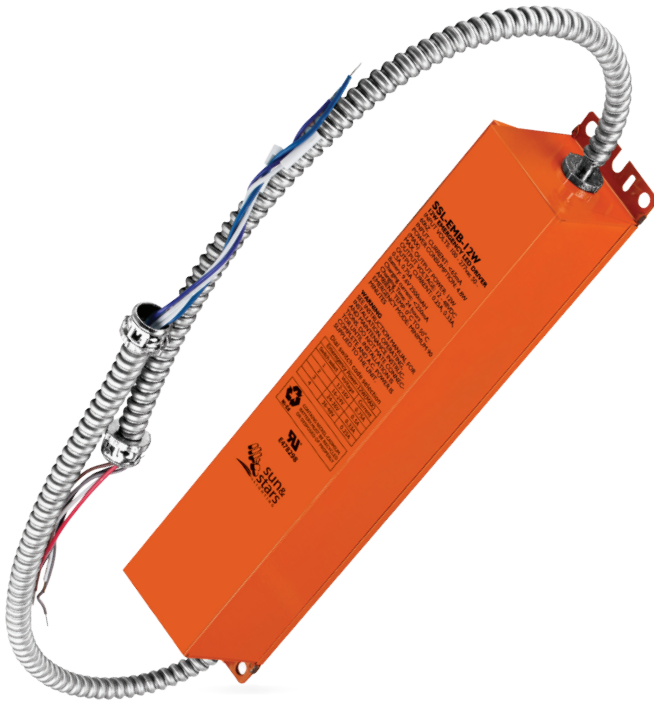
- Dial the code to suitable rated voltage of luminaire.
- Long life high temperature recyclable Ni-Cad battery.
- Includes test switch and charge indicator accessory kit.
- For use with switched and unswitched fixtures.
- Meet or exceed all National Electrical Code and Life Safety Code Emergency Lighting.

Technical Specifications

Input Voltage	100 - 277VAC, 50 - 60 Hz
Input Current	65mA (max)
Input Power	4.8W (max)
Output Voltage	12V - 48VDC
Max. Connected Load	0.75A
Output Power	12W (max)
Emergency Operation	>90 minutes
Battery	High Temp Nickel-Cadmium 24 Hour Recharge 7 - 10 Year Life Expectancy
UL Conditions of Acceptability	Must be factory wired Battery temperature must not exceed 50°C

Form for dial the code to suitable rated voltage of luminaire

Emergency power	Switch select	Voltage	Current
12W	1	12 - 16V	0.75A
	2	16 - 24V	0.5A
	3	24 - 36V	0.33A
	4	36 - 48V	0.25A

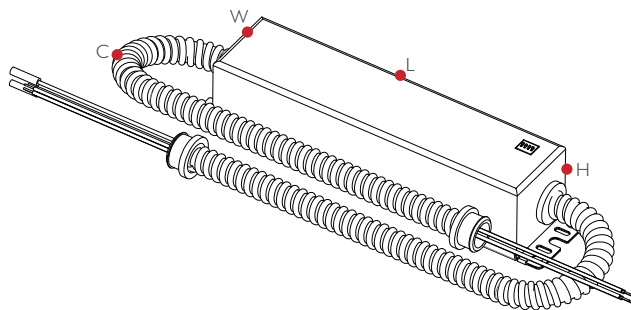


Dimensions

L x W x H x C:

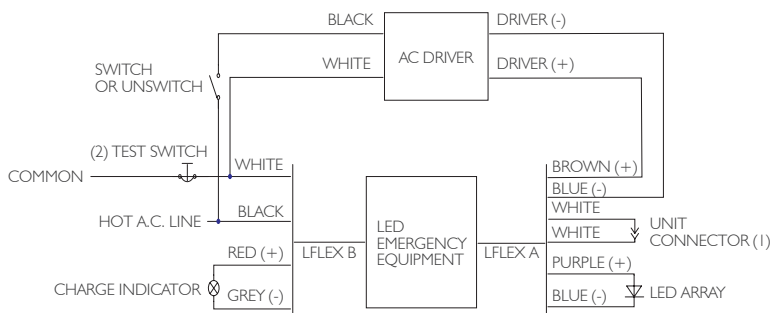
10.4" x 2.18" x 2.17" x in DIA 0.9"

264.6 mm x 55.4 mm x 55 mm x in DIA 22.2 mm



Typical Wiring Diagram

- (1) Do not mate connector until installation is complete and AC power is supplied.
- (2) Test accessory leads-observe proper polarity wiring.



517 Monterey Pass Road • Monterey Park, CA 91754
 P: +1.626.401.1228 • F: +1.626.401.1220
 sales@sunstarslighting.com • www.sunstarslighting.com

