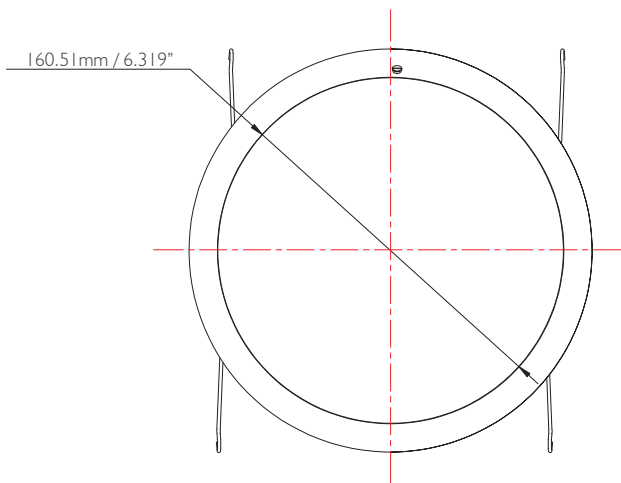
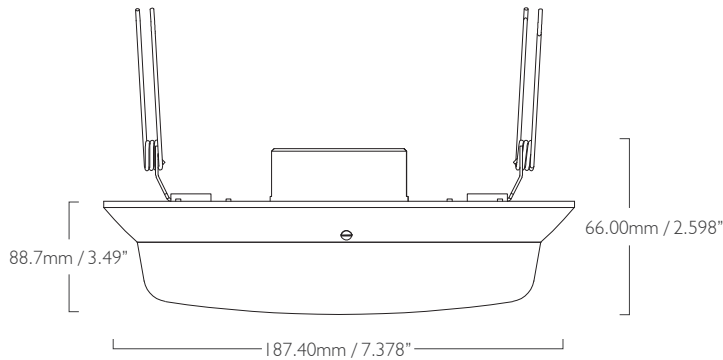


# SSL-SMRLED SERIES



SSL-SMRLED



## Product Description

The SSL-SMRLED 5-inch to 6-inch Surfaced Mounted LED Residential Downlight provides amazing beam angle and advanced dimming capabilities which minimum to 5% with widely available traditional dimmers. It is designed to easily install into existing IC or non-IC 6-inch and some 5-inch housings with E26 / GU24 base options. Also, it can be installed on the 4-inch or 6-inch junction box directly, making it ideal for new construction.

## Housing Compatibility

### HALO

LED Can:

5-inch: EI500AT, EI500RAT, ET500, ET500R.

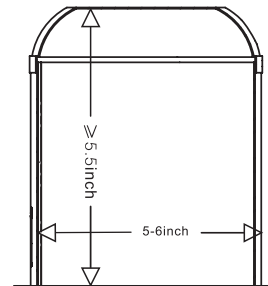
6-inch: EI700, EI700NB, EI2700, EI2700AT, EI500AT, EI500RAT.

### JUNO:

5-inch: TC20R, IC20R, IC25R, PL526RE, ICPL526REN.

6-inch: IC22, IC22S, IC23, IC21.

## Housing Dimensions



## Accessories



E26

Model Number	Input Power	Lumens	CCT	Dimension (W x H)	Volt
SSL-SMRLED-10/40K	10W	789lm	4000K	7.378" x 2.598"	120V
SSL-ADRLED-10/50K	10W	789lm	5000K	7.378" x 2.598"	120V



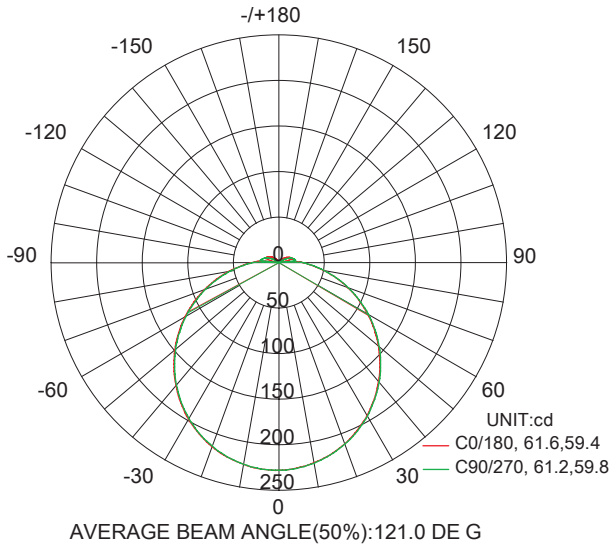
517 Monterey Pass Road • Monterey Park, CA 91754  
 P: +1.626.401.1228 • F: +1.626.401.1220  
 sales@sunstarslighting.com • www.sunstarslighting.com



## Photometric

Fixture photometry has been conducted accredited testing laboratory in accordance with IESNA LM-79-08.

## Luminous Intensity Distribution Program



## SSL-SMRLED-10/40K & 50K

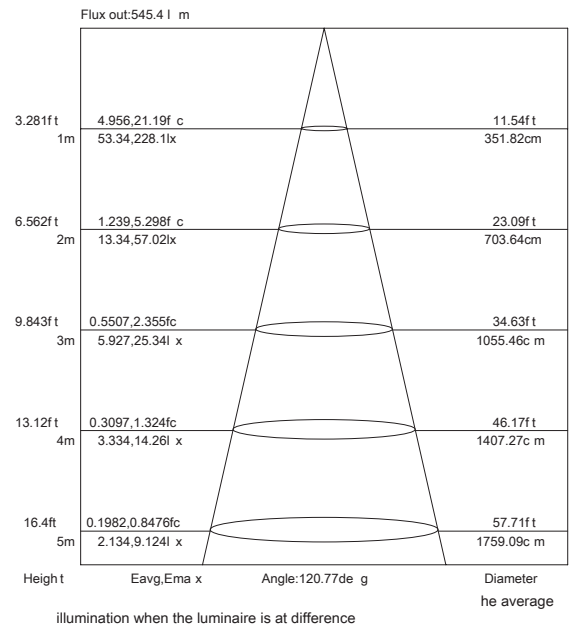
### Zonal Lumen Density Measurement

T	φ zone	φ total	% lum,lamp
0-10	21.56	21.56	2.73,2.73
10-20	61.93	83.49	10.6,10.6
20-30	94.64	178.1	22.6,22.6
30-40	115.8	294.0	37.2,37.2
40-50	123.4	417.4	52.9,52.9
50-60	117.2	534.6	67.7,67.7
60-70	98.65	633.2	80.2,80.2
70-80	71.60	704.8	89.3,89.3
80-90	42.47	747.3	94.7,94.7

### Average Illuminance Curve

Y	C0	C45	C90
10	222.9	221.9	223.3
20	211.4	210.8	212.0
30	193.5	192.9	194.2
40	170.1	169.5	171.1
50	142.6	142.0	143.6
60	112.3	111.5	113.2
70	80.38	79.84	81.21
80	49.59	49.25	50.53
90	26.26	25.43	26.01

### Luminous Intensity (CD) Distribution Data



### PERFORMANCE SUMMARY SSL-SMRLED-10/40K & 50K

Efficiency	79.15LPW
Rated Power	10W
Delivered light output	789.15 lumens
CRI	Ra > 80
CCT Options	4000K or 5000K
Input Voltage	120VAC
Input Current	0.0858A
THD	< 17.44%
PF	> 0.9667
Standard Warranty	5 Years
Standard Lifetime	Designed minimum 35,000 hours
Mounting	Recessed
Certificate	UL and cUL listed, Energy Star Listed, LM79 Report
Usage	Suitable for damp locations

### Coefficients of Utilization

ppc	80%			70%			50%			30%			10%			0
	50%	30%	10%	50%	30%	10%	50%	30%	10%	50%	30%	10%	50%	30%	10%	
pw	20%			20%			20%			20%			20%			0
pfc	20%			20%			20%			20%			20%			
RCR	RCR:Room Cavity Ratio						CU									
0	118	118	118	114	114	114	108	108	108	102	102	102	97	97	97	95
1	100	95	91	97	93	89	92	88	85	87	84	81	82	80	78	75
2	86	79	72	84	77	71	79	73	68	75	70	66	71	67	64	61
3	75	66	59	73	65	58	69	62	57	66	60	55	62	57	53	51
4	66	57	50	64	56	49	61	54	48	58	52	46	55	50	45	43
5	59	49	42	57	49	42	55	47	41	52	45	40	50	44	39	37
6	53	43	37	52	43	36	49	41	36	47	40	35	45	39	34	32
7	48	39	32	47	38	32	45	37	31	43	36	31	41	35	30	28
8	43	35	29	43	34	28	41	33	28	39	32	27	38	31	27	25
9	40	31	26	39	31	26	37	30	25	36	29	25	35	29	24	22
10	37	29	23	36	28	23	35	28	23	33	27	22	32	26	22	20



517 Monterey Pass Road • Monterey Park, CA 91754  
 P: +1.626.401.1228 • F: +1.626.401.1220  
 sales@sunstarslighting.com • www.sunstarslighting.com

