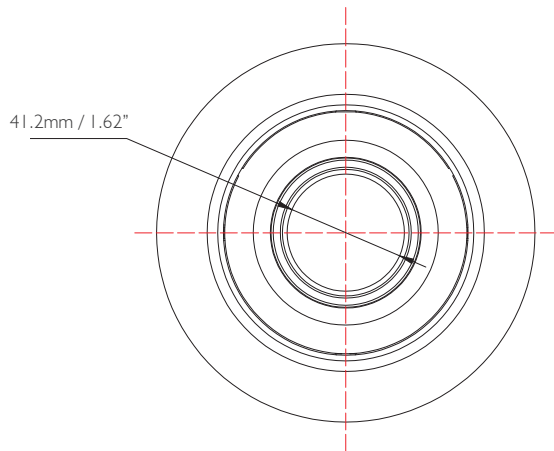
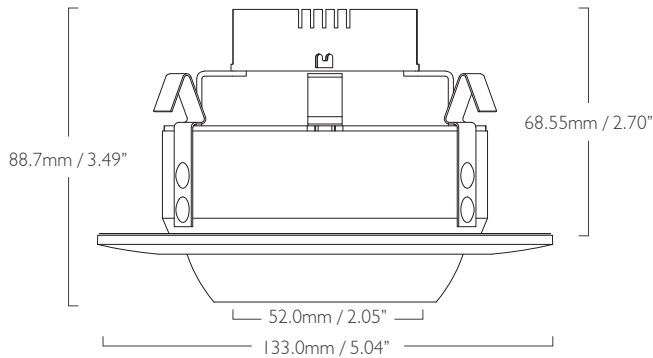


SSL-ADRLED-10 SERIES



SSL-ADRLED-10/4



Product Description

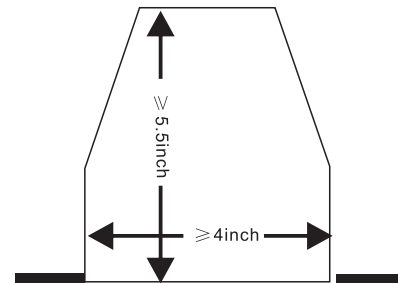
The SSL-ADRLED 4-inch Rotatable LED Residential Downlight provides amazing advanced dimming capabilities which minimum to 5% with widely available traditional dimmers. It is designed to easily install into existing IC or non-IC 4-inch housings with 35 degree adjustable angle and 12, 24, 38 degree beam angle, provides higher efficacy and longer life than compact fluorescent lamps.

Housing Compatibility

HALO
LED Can:
H455RICAT120D, H455RTUNVD010,
H455TCPUNVD010, H995RICAT

JUNO:
IC1, IC1W, IC1S, TC1, TC1S

Housing Dimensions



Accessories



E26

Model Number	Input Power	Lumens	CCT	Dimension (W x H)	Volt
SSL-ADRLED-10/30K-4	10W	713lm	3000K	5.04" x 3.49"	120V
SSL-ADRLED-10/40K-4	10W	725lm	4000K	5.04" x 3.49"	120V
SSL-ADRLED-10/50K-4	10W	739lm	5000K	5.04" x 3.49"	120V



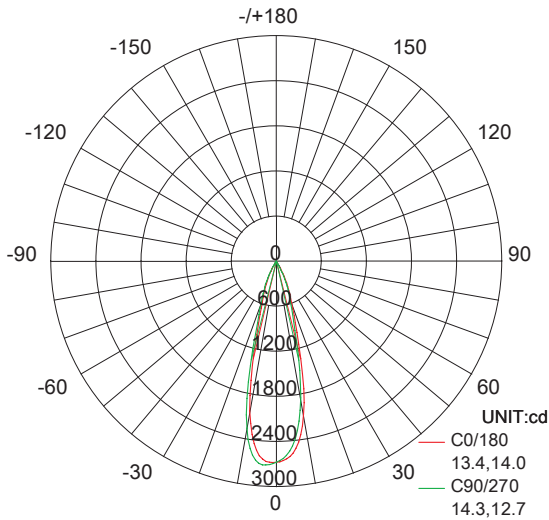
517 Monterey Pass Road • Monterey Park, CA 91754
P: +1.626.401.1228 • F: +1.626.401.1220
sales@sunstarslighting.com • www.sunstarslighting.com



Photometric

Fixture photometry has been conducted accredited testing laboratory in accordance with IESNA LM-79-08.

Luminous Intensity Distribution Program



SSL-ADRLED-10/4-40K & 50K

Zonal Lumen Density Measurement

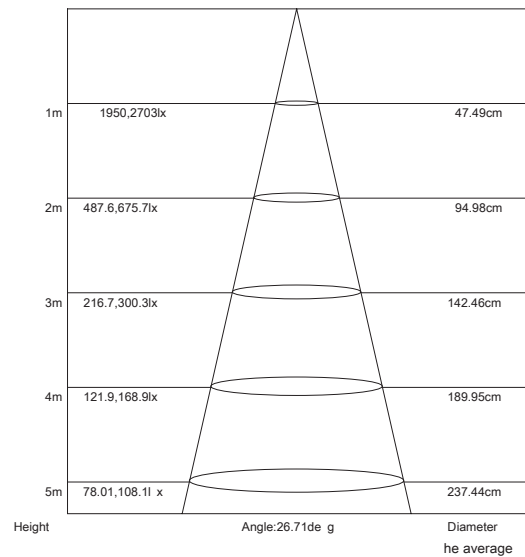
T	φ zone	φ total	%lum, lamp
0-10	59.03	59.03	3.6,3.6
10-20	167.7	226.8	13.8,13.8
20-30	250.5	477.3	29.1,29.1
30-40	296.1	773.5	47.2,47.2
40-50	299.9	1073	65.5,65.5
50-60	261.9	1335	81.5,81.5
60-70	189.2	1524	93,93
70-80	97.37	1622	98.9,98.9
80-90	17.34	1639	100,100

Average Illuminance Curve

Y	C0	C45	C90
10	604.7	604.1	608.3
20	559.6	558.9	566.0
30	494.2	493.1	502.6
40	413.4	412.3	423.0
50	321.6	320.7	332.2
60	221.9	221.3	232.8
70	121.8	121.6	131.9
80	33.75	33.71	41.17
90	0.0020	0.0032	0.0034

Luminous Intensity (CD) Distribution Data

Flux out: 380.9 lm



Note :The Curves indicate the illuminated area and the average illumination when the luminaire is at different distance.

PERFORMANCE SUMMARY SSL-ADRLED-10/4-40K &50K

Efficiency	69.56LPW
Rated Power	10W
Delivered light output	696.98 lumens
CRI	Ra > 90
CCT Options	4000K or 5000K
Input Voltage	120VAC
Input Current	0.1A
THD	< 17.44%
PF	> 0.9596
Standard Warranty	5 Years
Standard Lifetime	Designed minimum 35,000 hours
Mounting	Recessed
Certificate	UL and cUL listed, Energy Star Listed, T24 Listed, LM79 Report
Usage	Suitable for damp locations

Coefficients of Utilization

ppc	80%			70%			50%			30%			10%			0
	50%	30%	10%	50%	30%	10%	50%	30%	10%	50%	30%	10%	50%	30%	10%	
pw	20%			20%			20%			20%			20%			0
pfc	20%			20%			20%			20%			20%			
RCR	RCR:Room Cavity Ratio						CU									
0	119	119	119	116	116	116	111	111	111	106	106	106	102	102	102	00
1	113	111	109	111	109	107	107	105	104	103	102	101	00	99	98	96
2	107	104	102	106	103	101	103	101	99	00	98	97	97	96	95	93
3	103	99	96	102	98	96	99	96	94	97	95	93	95	93	91	90
4	99	95	92	98	94	91	96	93	90	94	91	89	92	90	88	87
5	95	91	88	94	90	87	93	89	87	91	88	86	90	87	85	84
6	92	87	84	91	87	84	90	86	84	88	85	83	87	85	83	82
7	89	84	81	88	84	81	87	83	81	86	83	81	85	82	80	79
8	86	82	79	85	81	79	84	81	78	84	80	78	83	80	78	77
9	83	79	76	83	79	76	82	78	76	81	78	76	81	78	76	75
10	81	77	74	80	77	74	80	76	74	79	76	74	79	76	73	73



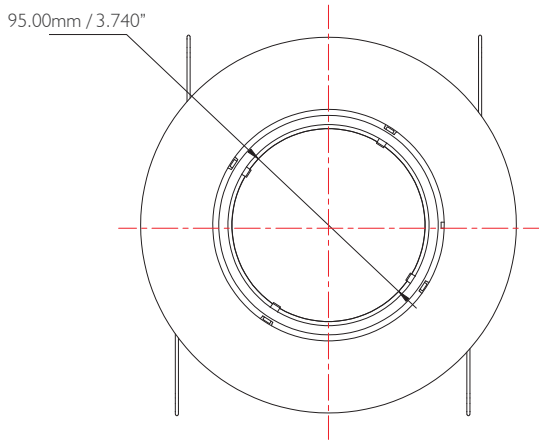
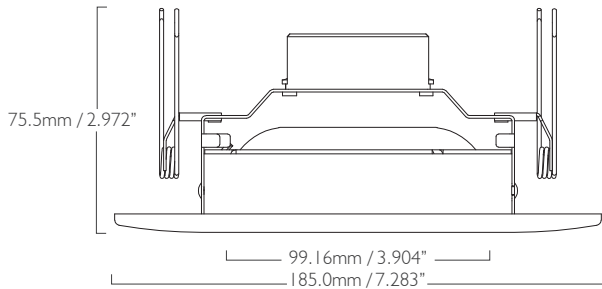
517 Monterey Pass Road • Monterey Park, CA 91754
 P: +1.626.401.1228 • F: +1.626.401.1220
 sales@sunstarslighting.com • www.sunstarslighting.com



SSL-ADRLED-10 SERIES

Product Description

The SSL-ADRLED 6-inch Rotatable LED Residential Downlight provides amazing advanced dimming capabilities which minimum to 5% with widely available traditional dimmers. It is designed to easily install into existing IC or non-IC 6-inch housings with 25 degree adjustable angle and 90 degree beam angle, provides higher efficacy and longer life than compact fluorescent lamps.



Housing Compatibility

HALO

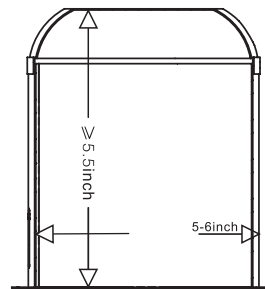
LED Can:

H7ICT, H7RICT, H7UICT, H27ICAT, H27ICT, H5RICAT, H750TCP

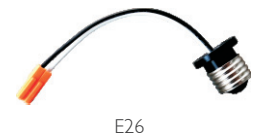
JUNO

IC22, IC22S, IC23, IC21, IC21R, IC25

Housing Dimensions



Accessories



Model Number	Input Power	Lumens	CCT	Dimensions (W x H)	Volt
SSL-ADRLED-10/30K-6	10W	763lm	3000K	7.283" x 2.972"	120V
SSL-ADRLED-10/40K-6	10W	748lm	4000K	7.283" x 2.972"	120V
SSL-ADRLED-10/50K-6	10W	803lm	5000K	7.283" x 2.972"	120V



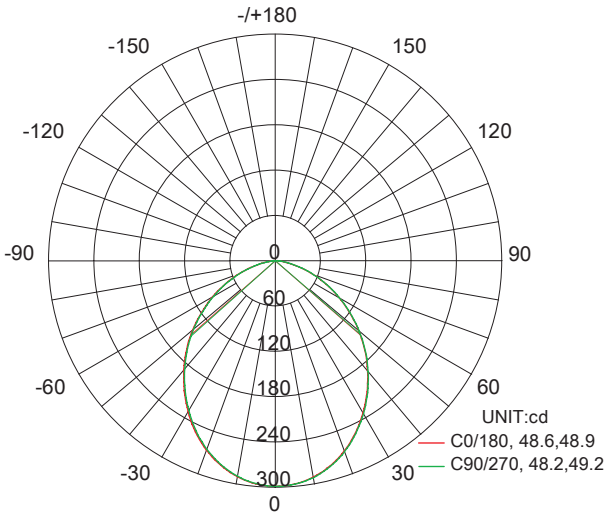
517 Monterey Pass Road • Monterey Park, CA 91754
 P: +1.626.401.1228 • F: +1.626.401.1220
 sales@sunstarslighting.com • www.sunstarslighting.com



Photometric

Fixture photometry has been conducted accredited testing laboratory in accordance with IESNA LM-79-08.

Luminous Intensity Distribution Program



AVERAGE BEAM ANGLE(50%):97.4 DEG

SSL-ADRLED-10/6-40K & 50K

Zonal Lumen Density Measurement

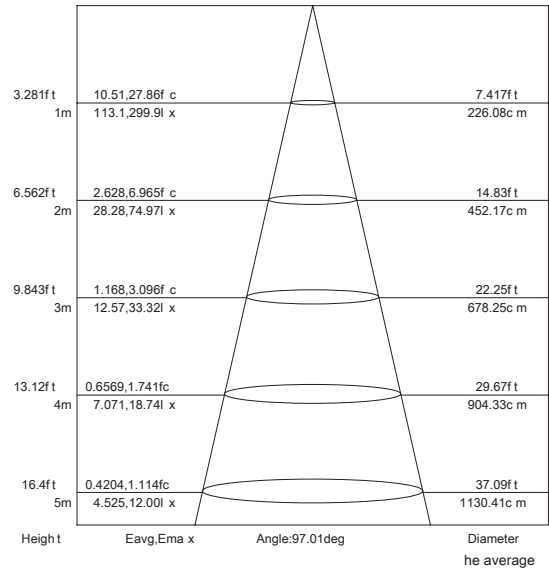
T	φ zone	φ total	% lum,lamp
0-10	28.10	28.10	4.01,4.01
10-20	78.98	107.1	15.3,15.3
20-30	115.3	222.3	31.7,31.7
30-40	131.8	354.1	50.5,50.5
40-50	128.4	482.5	68.9,68.9
50-60	106.9	589.4	84.1,84.1
60-70	73.03	662.4	94.6,94.6
70-80	33.44	695.9	99.3,99.3
80-90	4.669	700.6	100,100

Average Illuminance Curve

Y	C0	C45	C90
10	290.6	291.3	291.4
20	267.6	268.9	268.8
30	232.3	233.9	233.7
40	190.1	191.7	191.4
50	144.1	145.7	145.3
60	97.30	98.73	98.36
70	53.29	54.52	54.11
80	14.17	14.96	14.67
90	0.0636	0.0833	0.0745

Luminous Intensity (CD) Distribution Data

Flux out: 470.4 lm



Note : The Curves indicate the illuminated area and the average illumination when the luminaire is at different distance.

PERFORMANCE SUMMARY SSL-ADRLED-10/6-40K & 50K

Efficiency	71LPW
Rated Power	10W
Delivered light output	700 lumens
CRI	Ra > 90
CCT Options	4000K or 5000K
Input Voltage	120VAC
Input Current	0.1A
THD	< 17.44%
PF	> 0.9796
Standard Warranty	5 Years
Standard Lifetime	Designed minimum 35,000 hours
Mounting	Recessed
Certificate	UL and cUL listed, Energy Star Listed, T24 Listed, LM79 Report
Usage	Suitable for damp locations

Coefficients of Utilization

ppc	80%			70%			50%			30%			10%			0		
	50%	30%	10%	50%	30%	10%	50%	30%	10%	50%	30%	10%	50%	30%	10%			
pw	20%			20%			20%			20%			20%			0		
pfc	20%			20%			20%			20%			20%					
RCR	RCR:Room Cavity Ratio						CU											
0	119	119	119	116	116	116	111	111	111	106	106	106	102	102	102	102		
1	106	102	98	103	100	97	99	96	94	95	93	91	92	90	88	88		
2	93	87	81	91	85	80	88	83	79	84	80	77	81	78	75	75		
3	82	75	69	81	74	68	78	72	67	75	70	66	73	68	65	65		
4	73	65	59	72	64	58	70	63	58	67	61	57	65	60	56	56		
5	66	57	51	65	57	51	63	56	50	61	55	50	59	54	49	49		
6	60	51	45	59	51	45	57	50	44	55	49	44	54	48	44	44		
7	54	46	40	53	45	40	52	45	39	50	44	39	49	43	39	39		
8	50	41	36	49	41	36	48	41	35	46	40	35	45	39	35	35		
9	46	38	32	45	37	32	44	37	32	43	37	32	42	36	32	32		
10	42	35	29	42	34	29	41	34	29	40	34	29	39	33	29	29		



517 Monterey Pass Road • Monterey Park, CA 91754
 P: +1.626.401.1228 • F: +1.626.401.1220
 sales@sunstarslighting.com • www.sunstarslighting.com

