

# 1013-GU SERIES



1013-GU

## Product Description

The 1013 is new additions to our residential line. With their decorative designs, these models offer an elegant, but modern style to any room. The fixtures are FCC certified, UL listed and Energy Star certified. It is 5-year warranty.

## Construction

- Alabaster Frost Glass
- Satin Nickel

## Mounting

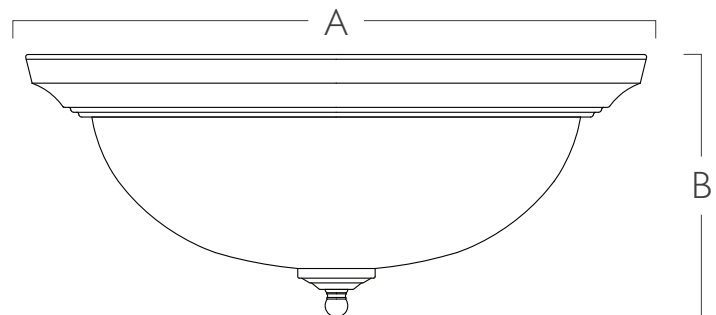
Ceiling surface mount

## Installation

- Residential
- Hospitality
- Commercial
- Indoor

## Recommendation

- 1012-GU2XX-SN
- 1012LED-23/X0K-SN
- 1017LED-23/X0K-WH



Model Number	Input Power	Lamp Quantity	Dimensions (A x B)	Volt	Finishing
1013-GU213-SN	13W	2	13" x 5"	120V	Satin Nickel
1013-GU218-SN	18W	2	13" x 5"	120V	Satin Nickel
1013-GU223-SN	23W	2	13" x 5"	120V	Satin Nickel