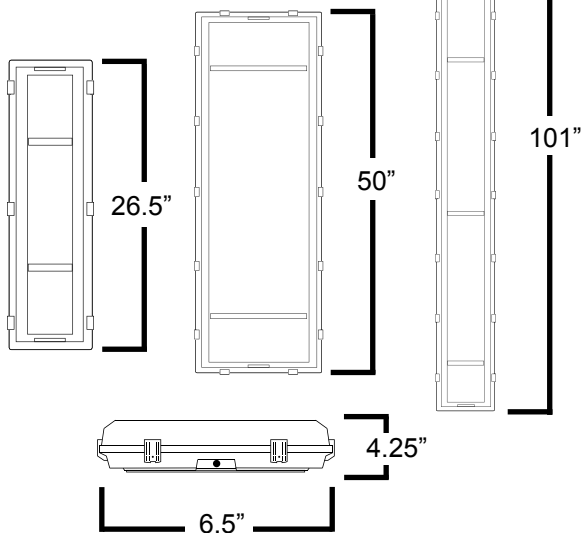


WP-STD

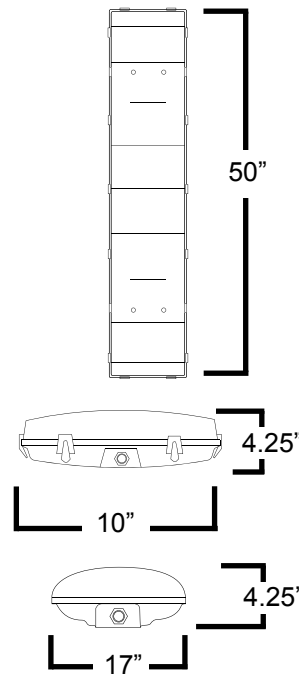


■ Dimensions

WP-STD-2x17
WP-STD-2x32
WP-STD-4x32/8FT



WP-STD-3x32/HIGHBAY
WP-STD-4x32/HIGHBAY



Mounting Options

- Chain Mount
- Surface Mount

Benefits

- High Performance Electronic Ballast Reduces Maintenance Cost
- Last Through Humidity, Dusty and Corrosive Areas
- IP65 Rated Fixture
- High Quality Electronic Ballast

Structure

- Stainless Steel Latches
- Clear Impact Resistant Acrylic Lens Diffuser
- High Quality Twist Lock Socket
- Polyethylene Housing

Warranty

2 Years Fixture
5 Years Ballast

Model	Dimensions	Lamp QTY	Lamp Type	Watts	Volt
WP-STD-2x17	26.5"x6.5"x4.25"	2	T8	17W	120-277V
WP-STD-2x32	50"x6.5"x4.25"	2	T8	32W	120-277V
WP-STD-3x32/HIGHBAY	50"x10"x4.25"	3	T8	32W	120-277V
WP-STD-4x32/HIGHBAY	50"x17"x4.25"	4	T8	32W	120-277V
WP-STD-4x32/8FT	101"x6.5"x4.25"	4	T8	32W	120-277V

