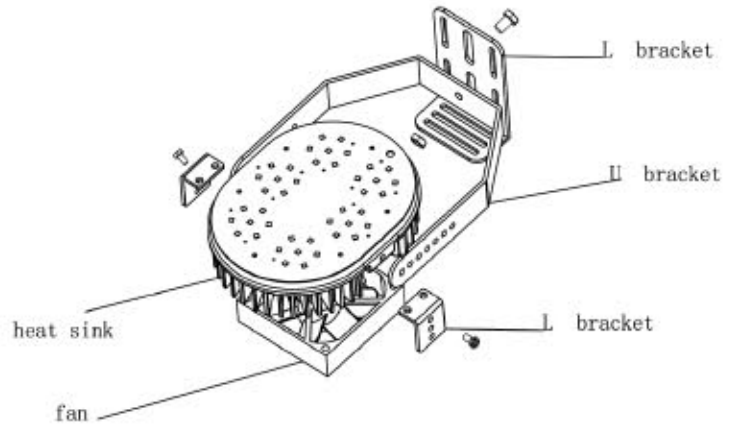
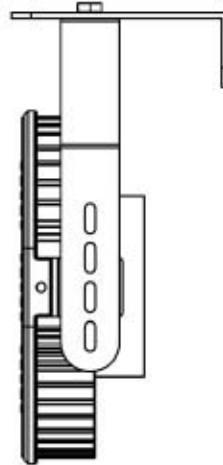
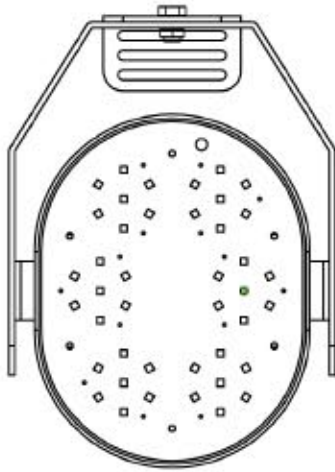


SSL-EXRTFK Series



Model	Dimensions	Lumen	Watt	Cct	Volt
SSL-EXRTFK40/50	9"X7"X9"	37200 lm	40W	5000K	120-277V
SSL-EXRTFK60/50	12"X9"X12"	5580 lm	60W	5000K	120-277V
SSL-EXRTFK80/50	12"X9"X12"	7440 lm	80W	5000K	120-277V
SSL-EXRTFK120/50	12"X9"X12"	11040 lm	120W	5000K	120-277V
SSL-EXRTFK185/50	12"X9"X12"	17020 lm	185W	5000K	120-277V

Benefits

The SSL-EXRTFK provides substantial easy installation; power savings, optimal lighting and superior heat management, and is an ideal retrofit solution for conventional shoebox, cobra head, wall pack, canopy & high bay fixtures.

Installation

- Parking Garages
- Stairwells
- Entrance
- Commercial

Recommendation

- SSL-GW
- SSL-SB
- SSL-EXRTFK

Construction

Heavy duty one-piece die cast aluminum heat sink. Professional and clean designed metal core printed circuit board (PCB) with Wago®. SMD PCB connector. Proven reliable Sunon® LED fan.

Equipped with Wago® quick disconnect between LED driver and LED module. Equipped with strain relief clamp to protect electrical cables and soldering points. Integral thermal control sensor which reduces drive current, when ambient temperatures exceeds rated temperature.



Sun & Stars Lighting, Inc.
517 Monterey Pass Road,
Monterey Park, CA 91754.

Phone: 1-626-401-1228
Fax: 1-626-401-1220
www.sunstarslighting.com
sales@sunstarslighting.com

