



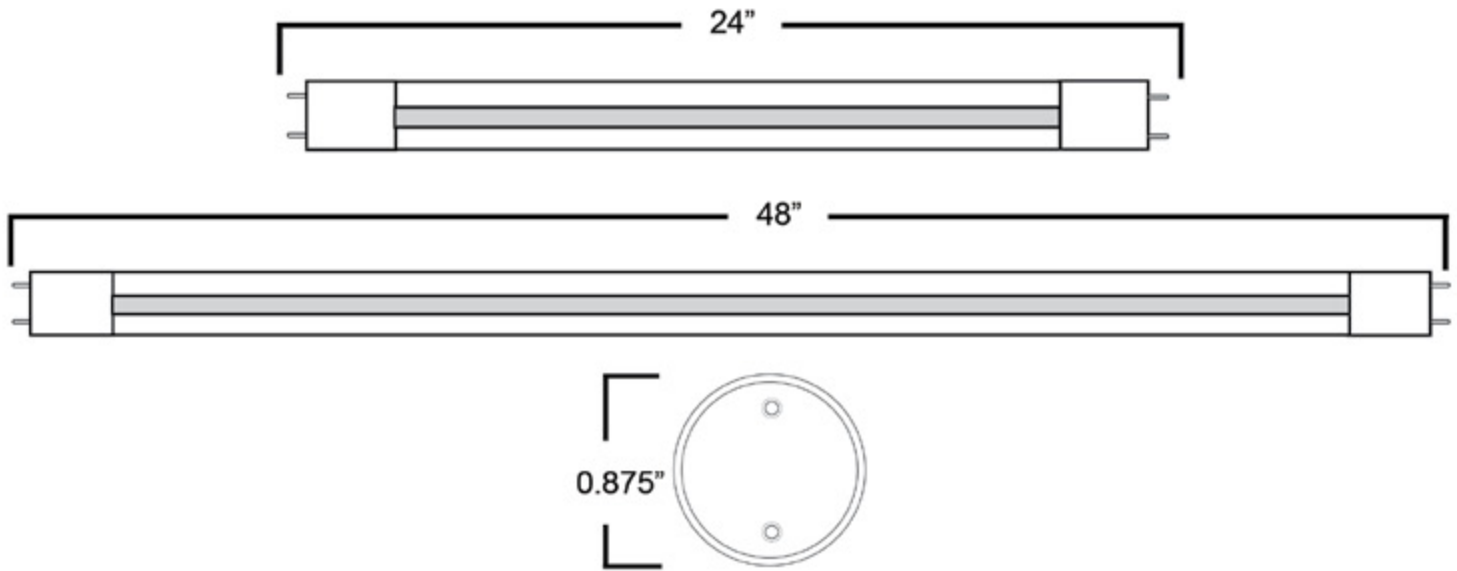
## SSLT8LED Series



### Features

- Wide Beam Design
- 50,000 Hours of Life
- Easy Installation Into Standard T8 Fixtures
- Instant Turn On Time With No Flickering
- 5-Year Warranty
- Mercury Free

The LED T8 series is a direct replace for 2ft or 4ft fluorescent T8 lamps. These ballast compatible LED T8 tubes come in full glass housing which provides a wide beam angle and 330 degree even light distribution. The Full glass housing prevents distortion and yellowing of the tube. The LED T8 tubes start up instantly with no delay and are rated for 50,000 hours. Our LED T8 tubes use 40% less energy than the standard 32W fluorescent T8 lamp, but provide the same light output.



Model	Dimensions	Lumen	Watt	CCT	Volt
SSLT8LED-9WT8-30K	24"x0.875"	1150lm	10W	3000K	120 - 277
SSLT8LED-9WT8-40K	24"x0.875"	1150lm	10W	4000K	120 - 277
SSLT8LED-9WT8-50K	24"x0.875"	1150lm	10W	5000K	120 - 277
SSLT8LED-14WT8-30K	48"x0.875"	1900lm	17.5W	3000K	120 - 277
SSLT8LED-14WT8-40K	48"x0.875"	1900lm	17.5W	4000K	120 - 277
SSLT8LED-14WT8-50K	48"x0.875"	1900lm	17.5W	5000K	120 - 277

## Benefits

Our SSLT8LED Series provides a soft wide beam angle and 330 degree even lighting. Compatible with dimming ballasts, light controls and sensors. Works with fluorescent electronic ballast. Lamp life rated at 50,000 hrs.

### Installation

- Schools
- Industrial Space
- Offices
- Hospitals

### Recommendation

T8 Lamp

## Construction

Our SSLT8LED Series is constructed of durable glass frame that provides 330 degree even lighting without any glare or shadowing.



SUN & STARS  
LIGHTING  
Sun & Stars Lighting, Inc.  
517 Monterey Pass Road,  
Monterey Park, CA 91754

Phone: 1-626-401-1228  
Fax: 1-626-401-1220  
www.sunstarslighting.com  
sales@sunstarslighting.com

