

SSL-RLED SERIES



Product Description

The SSL-RLED series are LED downlights that provide energy efficient solutions and are compatible with most 4," 5" and 6" recessed housing. Due to its clean and delicate profile, the SSL-RLED series is suitable for residential, commercial, retail and can also be used in damp locations such as exterior walkways, bathrooms and kitchens.

Features:

- Compatible with most 4" & 6" recessed housing
- Dimmable
- Includes Edison Base (E26 socket adaptor)
- 36,000 hours rated life
- 5-year warranty

Mounting

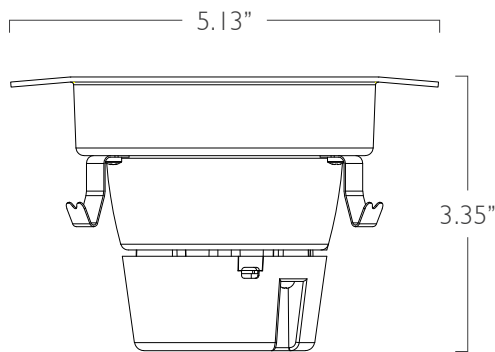
SSL-RLED series is compatible with most 4, 5 or 6 inch recessed housing.

Installation

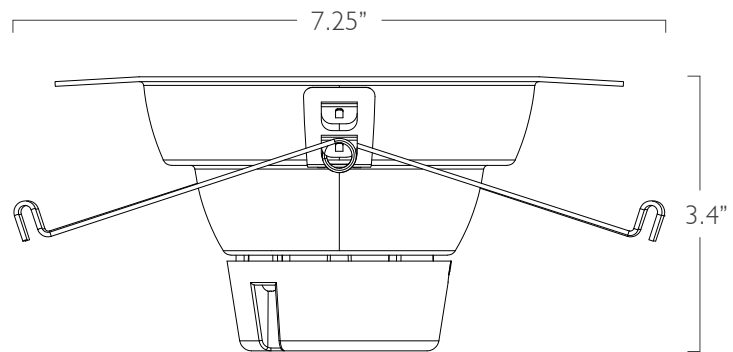
- Offices
- Retail Stores
- Schools
- Residential

Recommendation

- SSL-WRLED
- SSL-RLED/AD
- SSL-ADRLED



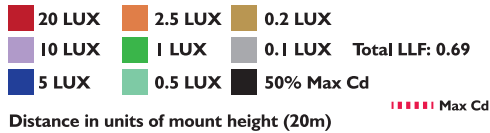
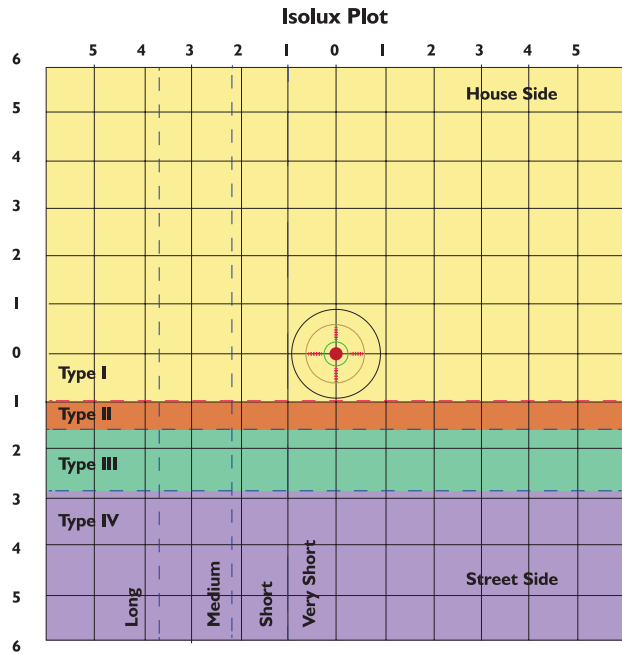
SSL-RLED-8



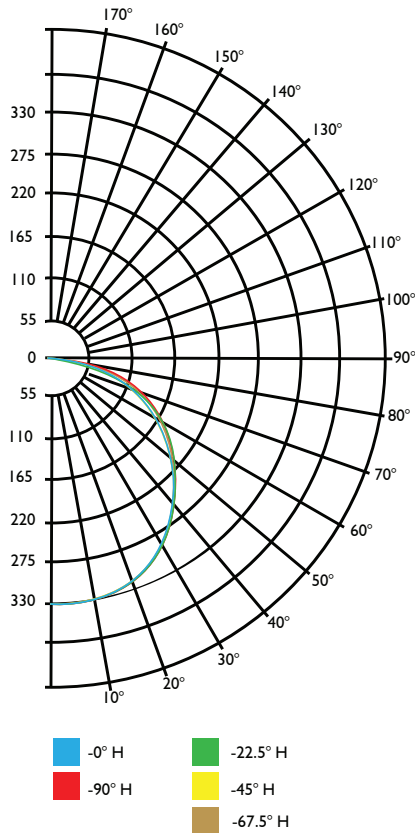
SSL-RLED-10

Model Number	Input Power	Lumens	CCT	Dimensions	Volt
SSL-RLED-8/30K	8W	600lm	3000K	5.13" x 3.5"	120V
SSL-RLED-8/40K	8W	650lm	4000K	5.13" x 3.5"	120V
SSL-RLED-8/50K	8W	700lm	5000K	5.13" x 3.5"	120V
SSL-RLED-10/30K	10W	940lm	3000K	7.25" x 3.4"	120V
SSL-RLED-10/40K	10W	970lm	4000K	7.25" x 3.4"	120V
SSL-RLED-10/50K	10W	1000lm	5000K	7.25" x 3.4"	120V

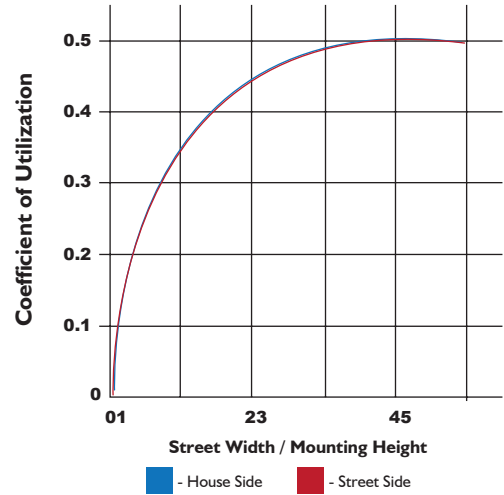
SSL-RLED-8 SERIES



Polar Candela Distribution



Roadway Utilization Curve

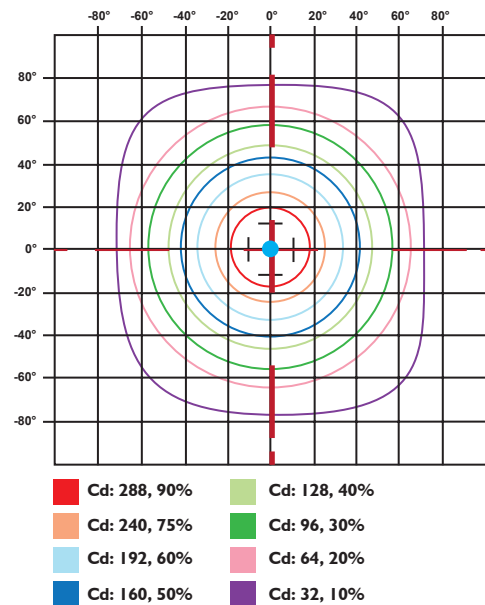


Illuminance at a distance

	Center Beam LUX	Beam Width	
17.0ft	1.11 LUX	33.3 ft	33.8 ft
34.0ft	0.28 LUX	66.7 ft	66.5 ft
51.0ft	0.12 LUX	100.0 ft	101.3 ft
68.0ft	0.07 LUX	133.3 ft	135.1 ft
85.0ft	0.04 LUX	166.6 ft	168.8 ft
102.0ft	0.03 LUX	200.0 ft	202.6 ft

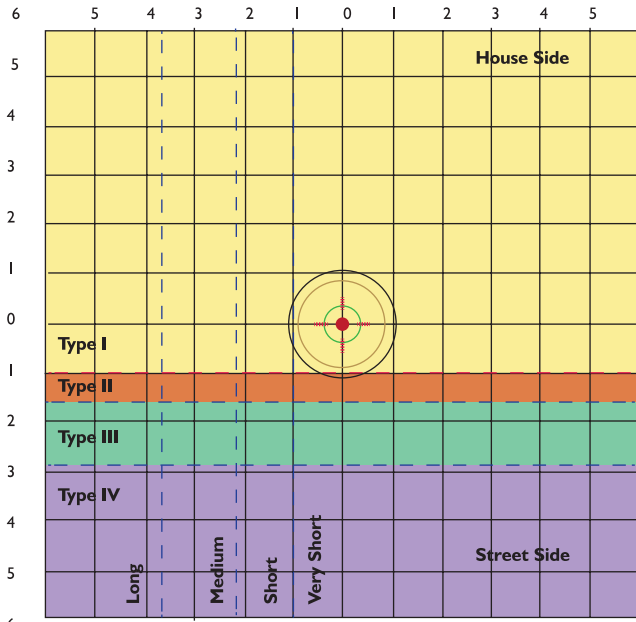
- Vert, Spread: 88.9°
- Vert, Spread: 89.6°

IsoCandela Plot

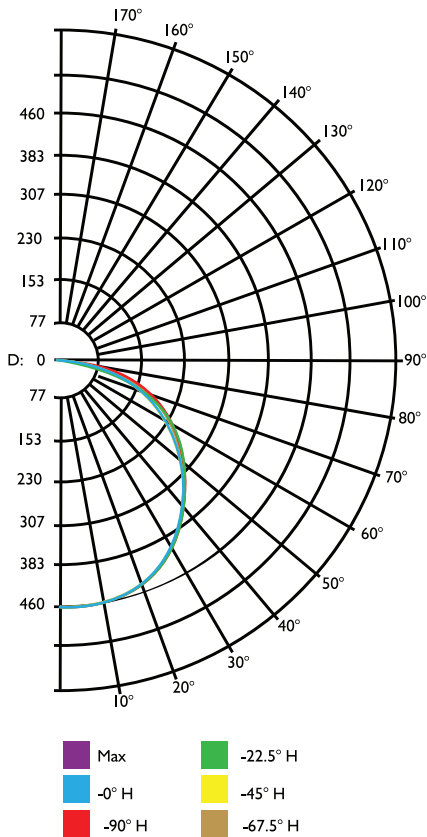


SSL-RLED-10 SERIES

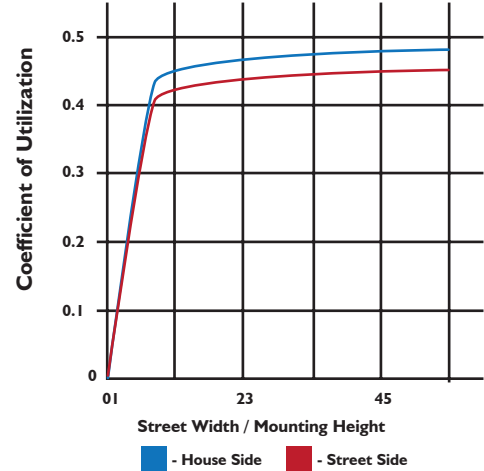
Isolux Plot



Polar Candela Distribution



Roadway Utilization Curve



Illuminance at a distance

	Center Beam LUX	Beam Width
17.0ft	1.57 LUX	35.3 ft 35.3 ft
34.0ft	0.39 LUX	70.6 ft 70.7 ft
51.0ft	0.17 LUX	105.9 ft 106.0 ft
68.0ft	0.10 LUX	141.2 ft 141.4 ft
85.0ft	0.06 LUX	176.5 ft 176.7 ft
102.0ft	0.04 LUX	211.8 ft 212.1 ft

- Vert, Spread: 92.2°
- Vert, Spread: 92.2°

IsoCandela Plot

