



## Mounting Options

- Ceiling Flush Mount

## Benefits

- Easy Installation
- Energy Efficient
- Light Weight
- Cost Efficient

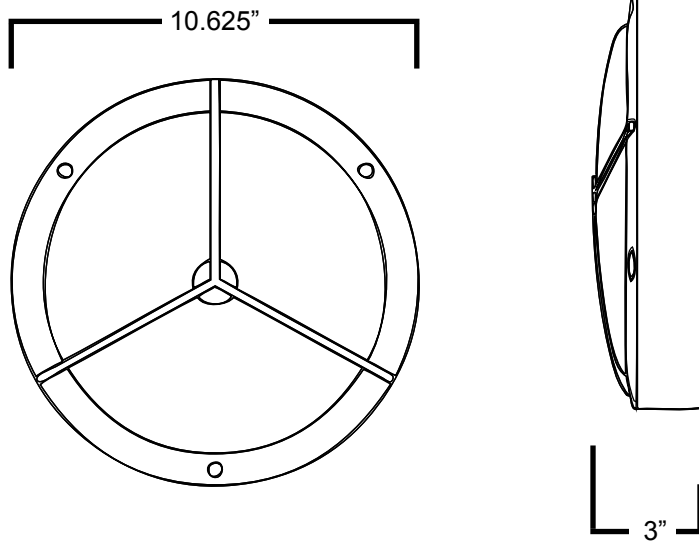
## Structure

- Oil Rubbed Bronze
- Alpine Frost Glass

## Warranty

2 Year Warranty

### ■ Dimensions



Model	Dimensions	Lamp QTY	Lamp Type	Watts	Volt
5015-GU113	10.625"x3"	1	GU24	13W	120-277V