



Mounting Options

- Wall Flush Mount

Benefits

- Easy Installation
- Energy Efficient
- Light Weight
- Cost Efficient

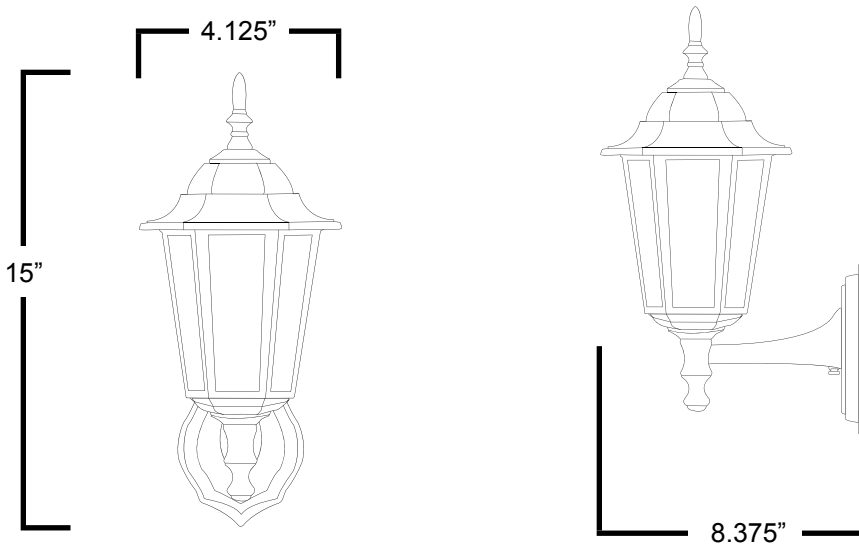
Structure

- Frost Glass
- Matt Black

Warranty

2 Year Warranty

■ Dimensions



Model	Dimensions	Lamp QTY	Lamp Type	Watts	Volt
5013-GU118	4.125"x15"x8.375	1	GU24	18W	120-277V
5013-GU123	4.125"x15"x8.375	1	GU24	23W	120-277V