



Mounting Options

- Ceiling Flush Mount

Benefits

- Easy Installation
- Energy Efficient
- Light Weight
- Cost Efficient

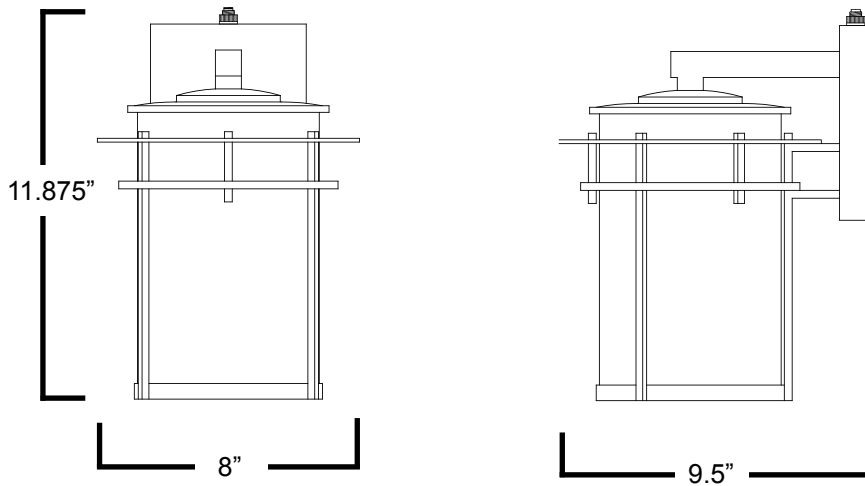
Structure

- Matt Black
- Opal Glass

Warranty

2 Year Warranty

■ Dimensions



Model	Dimensions	Lamp QTY	Lamp Type	Watts	Volt
5006-GU113	8"x11.875"x9.5"	1	GU24	13W	120-277V
5006-GU118	8"x11.875"x9.5"	1	GU24	18W	120-277V
5006-GU123	8"x11.875"x9.5"	1	GU24	23W	120-277V