



Mounting Options

- Wall Flush Mount
- Ceiling Flush Mount

Benefits

- Easy Installation
- Energy Efficient
- Light Weight
- Cost Efficient

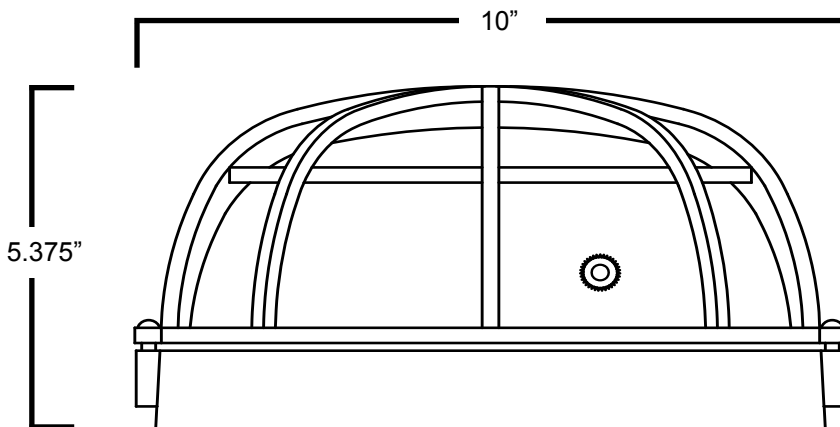
Structure

- Frost Glass
- Matt Black

Warranty

2 Year Warranty

■ Dimensions



Model	Dimensions	Lamp QTY	Lamp Type	Watts	Volt
5005-GU213	10"x5.375"	2	GU24	13W	120-277V
5005-GU218	10"x5.375"	2	GU24	18W	120-277V
5005-GU223	10"x5.375"	2	GU24	23W	120-277V