



Mounting Options

- Wall Flush Mount

Benefits

- Easy Installation
- Easy to Assemble
- Light Weight
- Energy Efficient

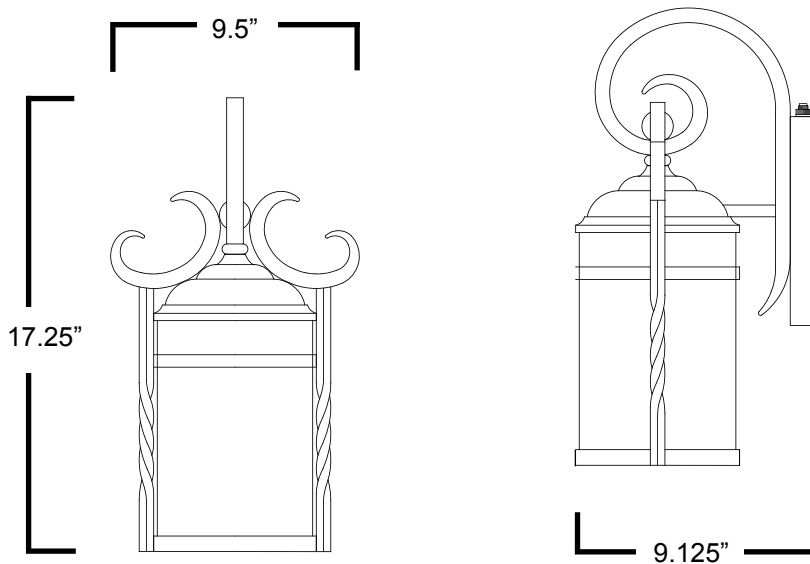
Structure

- Oil Rubbed Bronze
- Alpine Frost Glass

Warranty

2 Year Warranty

■ Dimensions



Model	Dimensions	Lamp QTY	Lamp Type	Watts	Volt
5002-GU113	17.25" x 9.5" x 9.125"	1	GU24	13W	120-277V
5002-GU118	17.25" x 9.5" x 9.125"	1	GU24	18W	120-277V
5002-GU123	17.25" x 9.5" x 9.125"	1	GU24	23W	120-277V