

5000



Mounting Options

- Wall Flush Mount

Benefits

- Easy Installation
- Energy Efficient
- Light Weight
- Cost Efficient

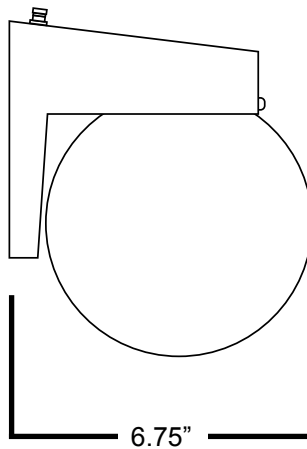
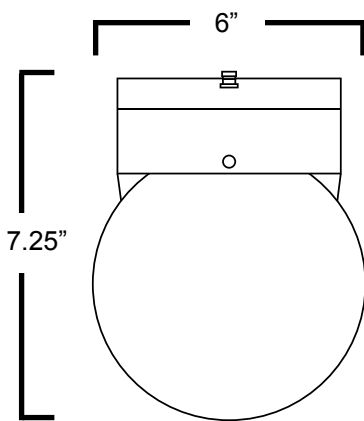
Structure

- White Glass Shell
- Texture Black Plastic

Warranty

2 Year Warranty

■ Dimensions



Model	Dimensions	Lamp QTY	Lamp Type	Watts	Volt
5000-GU218	7.25"x6"x6.75"	2	GU24	18W	120-277V
5000-GU223	7.25"x6"x6.75"	2	GU24	23W	120-277V



residential line