

# 4003-GU Series



## 4003-GU Series

The 4003-GU series is a new product from our residential lighting line. Like all our residential lights, the 4003-GU series is energy efficient while still maintaining an element of style. The Opal Glass softens and evens out the light, and is a great match for the Brushed Nickel finishing. The glass shell is tightly secured to the structure, and also holds two light bulbs inside. It is good for all residential usage, including room decoration, interior design, and home theater environments. The 4003-GU series is FCC certified, UL listed and Energy Star certified.

# 4003-GU Series



## Mounting Options

- Ceiling Surface Mount

## Benefits

- Easy Installation
- Energy Efficient
- Light Weight
- Cost Efficient

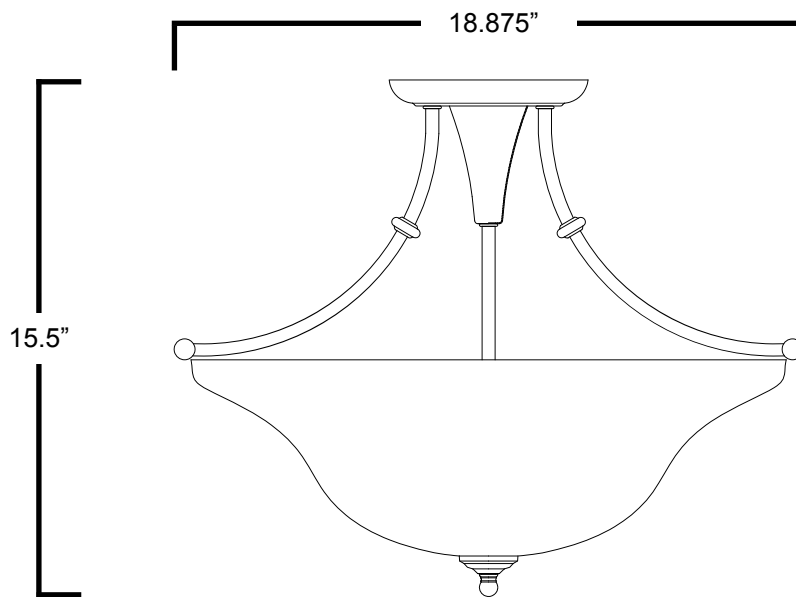
## Structure

- Oil Rubbed Bronze
- Alpine Frost Glass

## Warranty

2 Year Warranty

## ■ Dimensions



Model	Dimensions	Lamp QTY	Lamp Type	Watts	Volt
4003-GU213	18.875"x15.5"	2	GU24	13W	120-277V
4003-GU218	18.875"x15.5"	2	GU24	18W	120-277V
4003-GU223	18.875"x15.5"	2	GU24	23W	120-277V