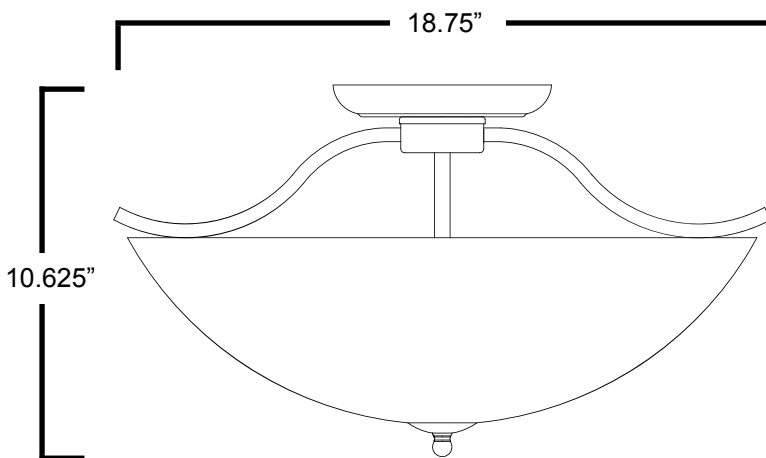


4002-GU Series



■ Dimensions



Mounting Options

- Ceiling Surface Mount

Benefits

- Easy Installation
- Energy Efficient
- Light Weight
- Cost Efficient

Structure

- Satin Nickel
- Opal Glass

Warranty

2 Year Warranty

Model	Dimensions	Lamp QTY	Lamp Type	Watts	Volt
4002-GU213	18.75"x10.625"	2	GU24	13W	120-277V
4002-GU218	18.75"x10.625"	2	GU24	18W	120-277V
4002-GU223	18.75"x10.625"	2	GU24	23W	120-277V

