

# 4002-GU Series



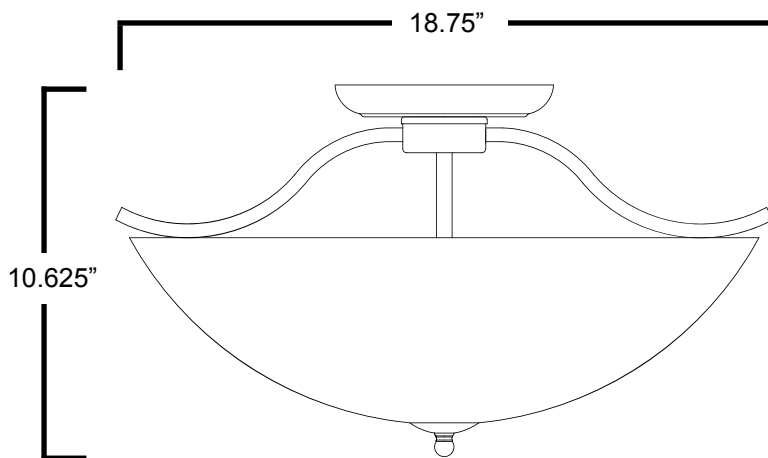
## 4002-GU Series

The 4002-GU series is a new product from our residential lighting line. Like all of our residential fixtures, it is energy efficient, while featuring flare and style. The Opal Glass softens and evens out the light, and is a great match for the Brushed Nickel finishing. The glass shell is tightly secured to the structure, and holds two light bulbs inside. It is good for all residential applications, including room decoration, interior design, and home theater environments. The 4002-GU series is FCC certified, UL listed and Energy Star certified.

# 4002-GU Series



## ■ Dimensions



## Mounting Options

- Ceiling Surface Mount

## Benefits

- Easy Installation
- Energy Efficient
- Light Weight
- Cost Efficient

## Structure

- Satin Nickel
- Opal Glass

## Warranty

2 Year Warranty

Model	Dimensions	Lamp QTY	Lamp Type	Watts	Volt
4002-GU213	18.75"x10.625"	2	GU24	13W	120-277V
4002-GU218	18.75"x10.625"	2	GU24	18W	120-277V
4002-GU223	18.75"x10.625"	2	GU24	23W	120-277V

