



Mounting Options

- Wall Flush Mount

Benefits

- Easy Installation
- Energy Efficient
- Light Weight
- Easy to Assemble

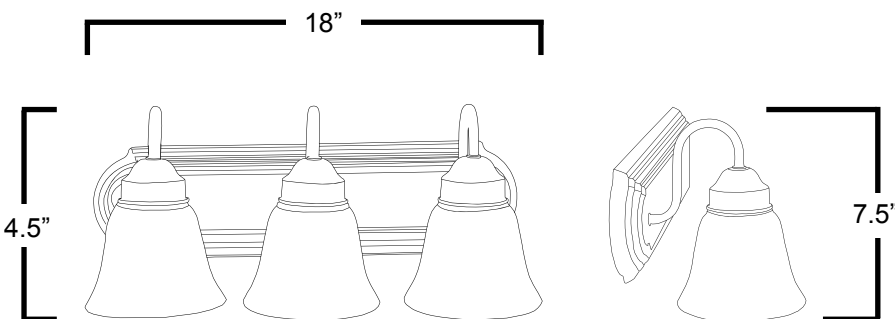
Structure

- Alabaster Glass Shade
- Cold Rolled Steel Frame

Warranty

2 Year Warranty

■ Dimensions



Model	Dimensions	Lamp QTY	Lamp Type	Watts	Volt
3016-GU313BK	18"x4.5"x7.5"	3	GU24	13W	120-277V
3016-GU318BK	18"x4.5"x7.5"	3	GU24	18W	120-277V
3016-GU323BK	18"x4.5"x7.5"	3	GU24	23W	120-277V
3016-GU313SN	18"x4.5"x7.5"	3	GU24	13W	120-277V
3016-GU318SN	18"x4.5"x7.5"	3	GU24	18W	120-277V
3016-GU323SN	18"x4.5"x7.5"	3	GU24	23W	120-277V