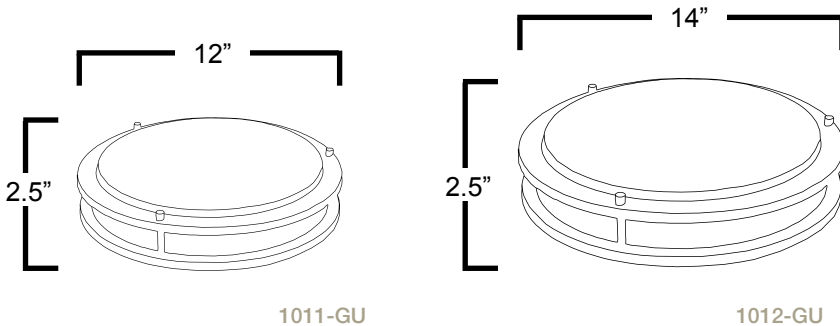


1011-GU/1012-GU Series



■ Dimensions



1011-GU

1012-GU

Mounting Options

- Ceiling Surface Mount

Benefits

- Easy Installation
- Energy Efficient
- Light Weight
- Cost Efficient

Structure

- Acrylic Shade
- Aluminum Frame

Warranty

2 Year Warranty

Model	Dimensions	Lamp QTY	Lamp Type	Watts	Volt
1011-GU113-BK	12"x2.5"	1	GU24	13W	120-277V
1011-GU118-BK	12"x2.5"	1	GU24	18W	120-277V
1011-GU123-BK	12"x2.5"	1	GU24	23W	120-277V
1011-GU113-SN	12"x2.5"	1	GU24	13W	120-277V
1011-GU118-SN	12"x2.5"	1	GU24	18W	120-277V
1011-GU123-SN	12"x2.5"	1	GU24	23W	120-277V
1012-GU213-BK	14"x2.5"	2	GU24	13W	120-277V
1012-GU218-BK	14"x2.5"	2	GU24	18W	120-277V
1012-GU223-BK	14"x2.5"	2	GU24	23W	120-277V
1012-GU213-SN	14"x2.5"	2	GU24	13W	120-277V
1012-GU218-SN	14"x2.5"	2	GU24	18W	120-277V
1012-GU223-SN	14"x2.5"	2	GU24	23W	120-277V