

1011-GU/1012-GU Series



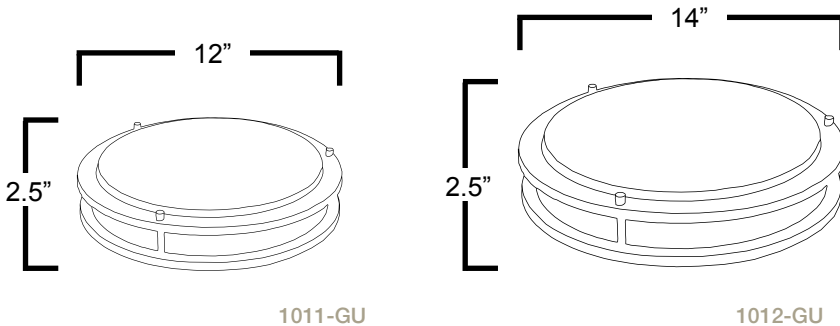
1011-GU / 1012-GU

The 1011-GU and 1012-GU series are new additions to our residential line. With their decorative designs, these models offer an elegant, but modern style to any room. The fixtures include either one or two GU-24 bulbs. The 1011-GU and 1012-GU fixtures are FCC certified, UL listed and Energy Star certified.

1011-GU/1012-GU Series



■ Dimensions



1011-GU

1012-GU

Mounting Options

- Ceiling Surface Mount

Benefits

- Easy Installation
- Energy Efficient
- Light Weight
- Cost Efficient

Structure

- Acrylic Shade
- Aluminum Frame

Warranty

2 Year Warranty

Model	Dimensions	Lamp QTY	Lamp Type	Watts	Volt
1011-GU113-BK	12"x2.5"	1	GU24	13W	120-277V
1011-GU118-BK	12"x2.5"	1	GU24	18W	120-277V
1011-GU123-BK	12"x2.5"	1	GU24	23W	120-277V
1011-GU113-SN	12"x2.5"	1	GU24	13W	120-277V
1011-GU118-SN	12"x2.5"	1	GU24	18W	120-277V
1011-GU123-SN	12"x2.5"	1	GU24	23W	120-277V
1012-GU213-BK	14"x2.5"	2	GU24	13W	120-277V
1012-GU218-BK	14"x2.5"	2	GU24	18W	120-277V
1012-GU223-BK	14"x2.5"	2	GU24	23W	120-277V
1012-GU213-SN	14"x2.5"	2	GU24	13W	120-277V
1012-GU218-SN	14"x2.5"	2	GU24	18W	120-277V
1012-GU223-SN	14"x2.5"	2	GU24	23W	120-277V