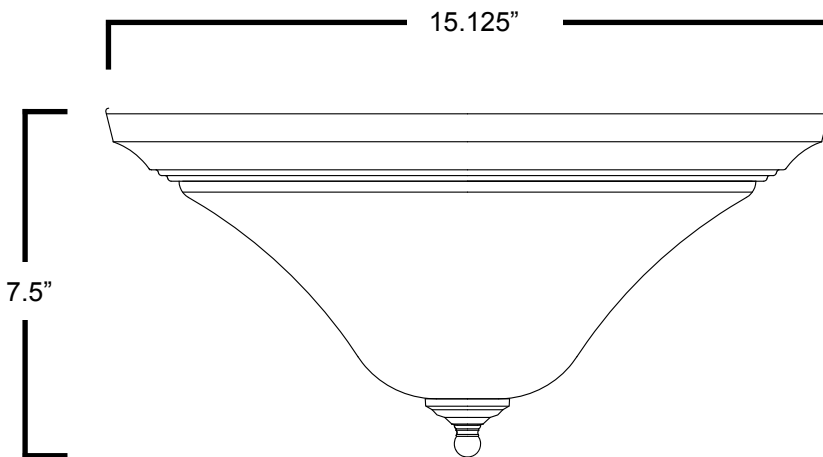


1007-GU series



■ Dimensions



Mounting Options

- Ceiling Surface Mount

Benefits

- Easy Installation
- Energy Efficient
- Light Weight
- Cost Efficient

Structure

- Mahogany Bronze
- Champagne Washed Linen Glass

Warranty

2 Year Warranty

Model	Dimensions	Lamp QTY	Lamp Type	Watts	Volt
1007-GU213	15.125"x7.5"	2	GU24	13W	120-277V
1007-GU218	15.125"x7.5"	2	GU24	18W	120-277V
1007-GU223	15.125"x7.5"	2	GU24	23W	120-277V