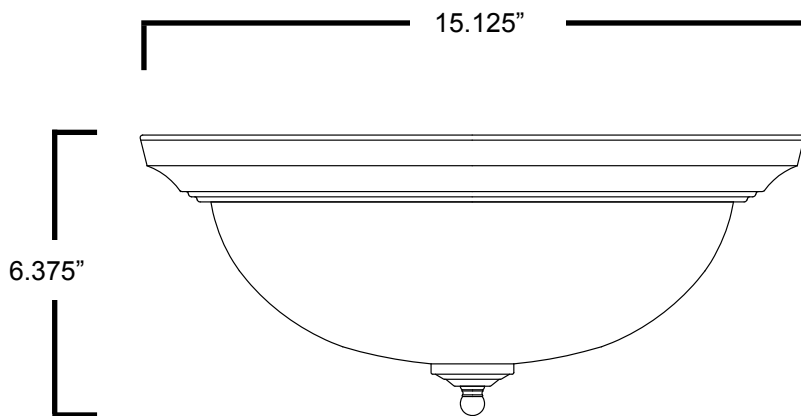


# 1006-GU Series



## Dimensions



## Mounting Options

- Ceiling Flush Mount

## Benefits

- Easy Installation
- Energy Efficient
- Light Weight
- Cost Efficient

## Structure

- Mahogany Bronze
- Champagne Washed Linen Glass

## Warranty

2 Year Warranty

Model	Dimensions	Lamp QTY	Lamp Type	Watts	Volt
1006-GU213	15.125"X6.375"	2	GU24	13W	120-277V
1006-GU218	15.125"X6.375"	2	GU24	18W	120-277V
1006-GU223	15.125"X6.375"	2	GU24	23W	120-277V

