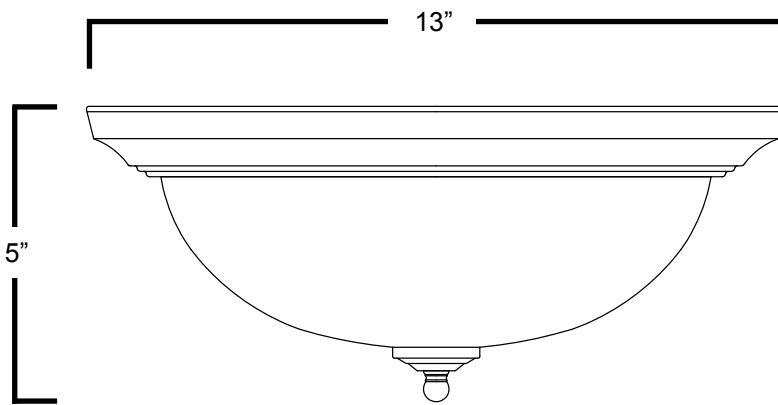


# 1003-GU Series



## ■ Dimensions



## Mounting Options

- Ceiling Surface Mount

## Benefits

- Easy Installation
- Energy Efficient
- Light Weight
- Cost Efficient

## Structure

- Satin Nickel / White Powder Coating
- Opal Glass

## Warranty

2 Year Warranty

Model	Dimensions	Lamp QTY	Lamp Type	Watts	Volt
1003-GU213WH	13"x5"	2	GU24	13W	120-277V
1003-GU218WH	13"x5"	2	GU24	18W	120-277V
1003-GU223WH	13"x5"	2	GU24	23W	120-277V
1003-GU213SN	13"x5"	2	GU24	13W	120-277V
1003-GU218SN	13"x5"	2	GU24	18W	120-277V
1003-GU223SN	13"x5"	2	GU24	23W	120-277V