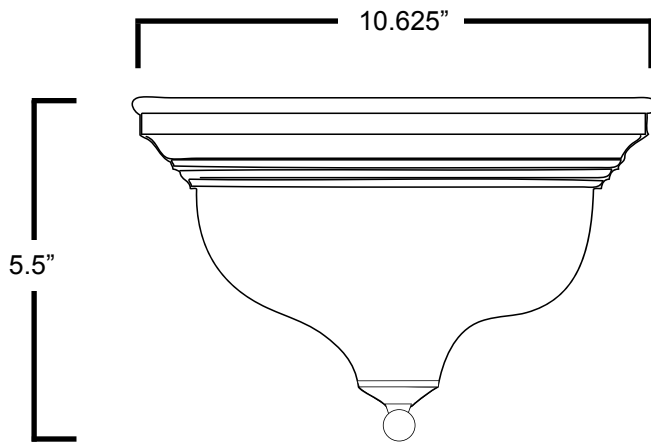


# 1000-GU Series



## ■ Dimensions



## Mounting Options

- Ceiling Flush Mount

## Benefits

- Easy Installation
- Energy Efficient
- Light Weight
- Cost Efficient

## Structure

- Oil Rubbed Bronze
- Alpine Frost Glass

## Warranty

2 Year Warranty

Model	Dimensions	Lamp QTY	Lamp Type	Watts	Volt
1000-GU113WH	10.625"x5.5"	1	GU24	13W	120-277V
1000-GU118WH	10.625"x5.5"	1	GU24	18W	120-277V
1000-GU123WH	10.625"x5.5"	1	GU24	23W	120-277V
1000-GU113SN	10.625"x5.5"	1	GU24	13W	120-277V
1000-GU118SN	10.625"x5.5"	1	GU24	18W	120-277V
1000-GU123SN	10.625"x5.5"	1	GU24	23W	120-277V